



LabGadget

[www.labgadget.com](http://www.labgadget.com)

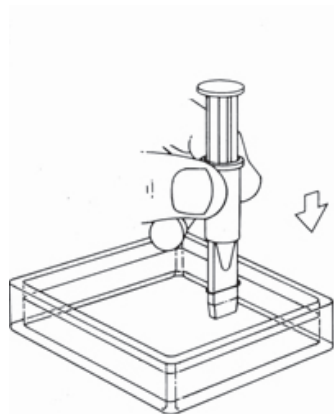
**x-tracta**

The disposable gel extraction tool

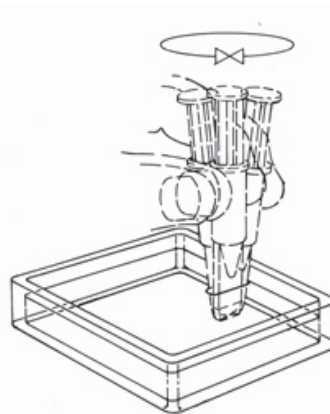
## User Instructions

This x-tracta tool by LabGadget provides a faster, safer and more convenient way to extract and dispense gel samples.

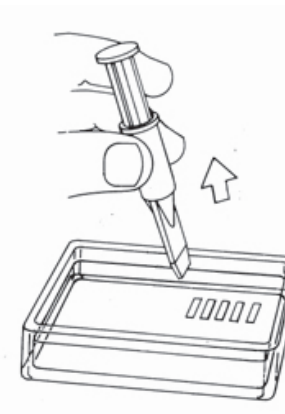
1. Insert tool into gel



2. Rock slightly to cut into gel



3. Remove Tool at a slant



4. Dispense



In accordance with good laboratory practice, the x-tracta tool should be used once and discarded to prevent cross-contamination.

LabGadget warrants that its x-tracta tool is free from defects at the time of shipment. LabGadget shall not be liable for any loss of use or profits or facilities or any other indirect, incidental or consequential damages arising out of the use or performance of the product involved.